

# firemax



## Compact, automatic wood pellet boiler, available in several configurations

Firemax is a boiler with a compact exchanger design which together with the feeder and the cylinder, forms a compact and small heating device. The boiler has a high efficiency of up to 93% and a number of functions improving the comfort of boiler operation. The cuboidal, compact flame-and-shelf heat exchanger with horizontal flue gas flow, combined with ceramic elements, ensures high efficiency in the extraction of heat from the flue gases.

The boiler is equipped with a modern RS pellet burner characterised by high efficiency of burning pellets of A1, A2 and B class. It has a combustion process aeration system and separate primary and secondary air nozzles. It is equipped with a ceramic heater which ensures efficient and fully automatic firing of the boiler and a mechanism for automatic cleaning from sinters and ashes.



wood pellet  
A1, A2, B



automatic  
ignition



automatic  
clean



compact  
dimensions



heat-resistant  
ceramics



several hopper  
configurations

## Technical data



available heating power range

kW

15 20 25 30 35 45

thermal efficiency reaching up to:



power modulation range

kW

4,5-16 6-22 7,5-28 9-33 10,9-35 13,7-46



approximate heating area\*

m<sup>2</sup>

40-140 60-190 70-260 90-280 110-350 140-450

< 93%

nominal power kW	thermal efficiency %	energetic efficiency class	water capacity dm <sup>3</sup>	flue gas outake diameter mm	weight of the boiler with the tank:			
					250 kg	300 kg	190 plus kg	300 plus kg
15	92,8	A+	52	160	317	-	341	350
20	92,3	A+	70	160	382	-	401	417
25	92,3	A+	80	160	467	-	483	511
30	92,2	A+	80	160	467	-	483	511
35	92,7	A+	103	160	-	540	-	-
45	92,6	A+	118	160	-	590	-	-

## Controller

ST-7110 zPID



tilt angle adjustment



remarkably easy to use



intelligent zPID algorithm



remote control option\*\*

**Control:** igniter control, fan control, burner cleaning control, fuel feeder control, central heating and domestic hot water pumps control and two auxiliary pumps, weather control of valve, weekly control.

**Functions:** showing the amount of fuel in the tank, software update via USB, support for the burner grate, smooth control of the mixing valve.

\* The given areas of the heated facility are only approximate

\*\* On condition that an additional ST-505 or WiFi RS module is connected

## Tank configurations



available tank version

250

300

190 plus

300 plus



tank capacity

dm<sup>3</sup>

250

300

190

300



heating power range

kW

15 - 30

35 - 45

15 - 30

15 - 30



firemax 250



firemax 300



firemax 190 plus



firemax 300 plus

Tanks 250 and 300: standard, powder-coated, without a cover housing, available in the left and right version.

Tanks 190 plus and 300 plus: these have a powder-coated cover housing, available in the left and right version.

## Extended feed system\*



available tank version

250 PSP

300 PSP



tank capacity

dm<sup>3</sup>

250

300



heating power range

kW

15 - 30

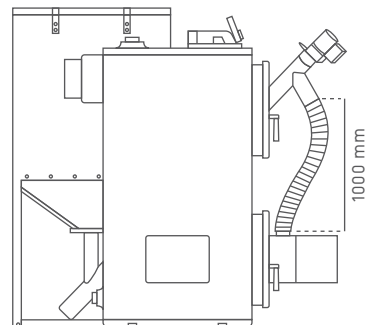
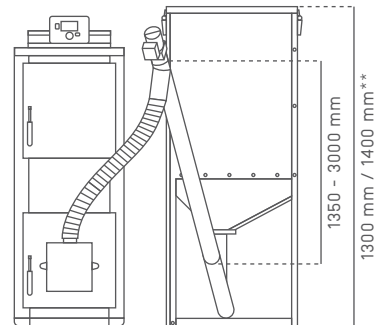
35 - 45



firemax 250 PSP  
burner in front of the boiler



firemax 300 PSP  
burner on the side of the boiler

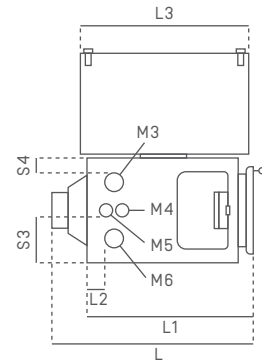
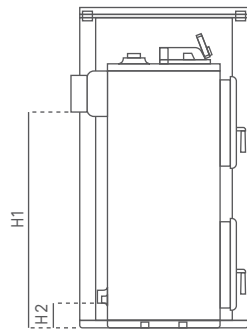
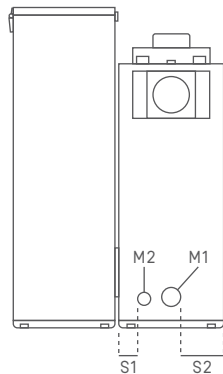
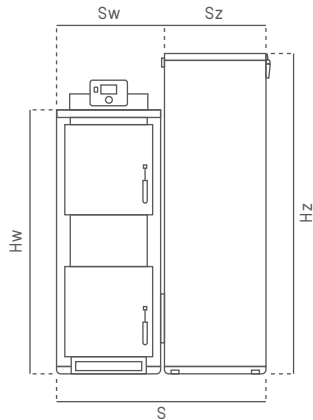


**Feeder:** extended, with a standard length of 1.3 m, with the possibility of extension up to 3 m for an additional fee.

**Burner installation:** in the front in the combustion chamber door or on the left or right side of the boiler.

\* The Firemax boiler with an extended feed system (PSP) is available on request only.

\*\* The height of 1400 mm applies to a tank with a capacity of 300 dm<sup>3</sup>.



power tank	S	Sw	Sz	S1	S2	S3	S4	Hz	Hw	H1	H2	L	L1	L2	L3	
<b>kW</b>	dm <sup>3</sup>	mm	mm	mm	mm	mm	mm	mm	mm	mm	mm	mm	mm	mm	mm	
<b>15</b>	250	1020	460	560	100	210	220	80	1430	1150	940	110	714	500	90	710
	190 plus	930	460	460	100	210	220	80	1400	1150	940	110	714	500	90	750
<b>20</b>	300 plus	1170	460	705	100	210	220	80	1400	1150	940	110	714	500	90	750
	250	1020	460	560	100	210	220	80	1430	1150	940	110	883	670	95	710
<b>25</b>	190 plus	930	460	460	100	210	220	80	1400	1150	940	110	883	670	95	750
	300 plus	1170	460	705	100	210	220	80	1400	1150	940	110	883	670	95	750
<b>30</b>	250	1020	460	560	100	210	220	80	1430	1250	1000	110	883	670	105	710
	190 plus	930	460	460	100	210	220	80	1400	1250	1000	110	883	670	105	750
<b>35</b>	300 plus	1170	460	705	100	210	220	80	1400	1250	1000	110	883	670	105	750
	250	1020	460	560	100	210	220	80	1430	1250	1000	110	883	670	105	710
<b>45</b>	190 plus	930	460	460	100	210	220	80	1400	1250	1000	110	883	670	105	750
	300	1070	460	580	100	210	220	85	1430	1530	1170	78	883	813	105	803
<b>45</b>	300	1070	552	580	147	255	266	128	1430	1530	1170	78	883	813	105	803

muff	M1	M2	M3	M4	M5	M6
<b>diameter</b>	6/4"	1/2"	6/4"	1/2"	3/4"	6/4"
<b>intended use</b>	boiler inlet	drain valve	boiler outlet	safety valve	cooling valve	boiler outlet

Reference cross-section

